

Quick Start Guide

701P35217



CentreDirect EPS

QUICK START GUIDE

Xerox Corporation
1350 Jefferson Road
Rochester, New York 14623

Xerox Europe
Bessemer Road
Welwyn Garden city
Herts AL7 1HE
United Kingdom

©2000 by Xerox Limited. All rights reserved.

Copyright protection claimed includes all forms and matters of copyrightable material and information now allowed by statutory or judicial law or hereinafter granted, including without limitation, material generated from the software programs which are displayed on the screen, such as icons, screen displays, looks, etc.

Xerox ® and all Xerox products mentioned in this publication are registered trademarks of the Xerox Corporation.

Windows TM is a trademark of Microsoft Corporation. Product names and trademarks of other companies are also acknowledged.

This document was created on a Mac using Quark Xpress and Macromedia Freehand.

Publication Number: 701P35217



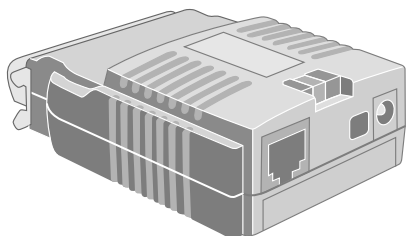
Getting Started

TABLE OF CONTENTS

1. Getting Started	
Introduction	1-1
Contents	1-2
Before you begin	1-3
Overview	1-4
NetBEUI or TCP/IP?	1-5
Connecting to printer	1-6
Connecting to network	1-8
2. Installing CentreDirect EPS	
NetBEUI for all Windows	2-1
TCP/IP for Windows	2-3
TCP/IP for Macintosh	2-5

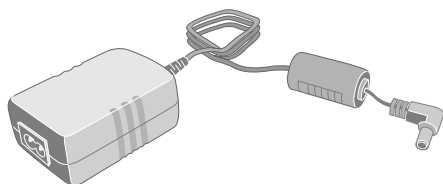
Thank you for purchasing this Xerox CentreDirect EPS (External Printer Server). This Quick Start Guide provides easy step-by-step instructions with helpful notes and tips for NetBEUI and TCP/IP networks.

Refer to www.xerox.com for all other supported network installations.



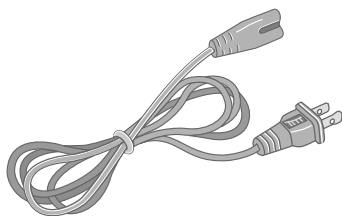
1

CentreDirect EPS module



2

CentreDirect EPS power supply



3

Power cord

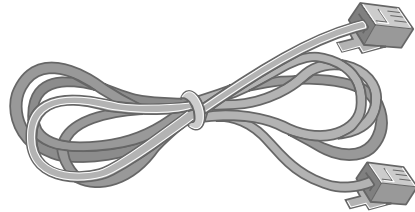
Before you begin make sure:

You have a working knowledge of your network. If you do not know the network type you will be connecting to or how your network is configured contact your System Administrator or consultant for help.

Your printer and network are functioning properly.

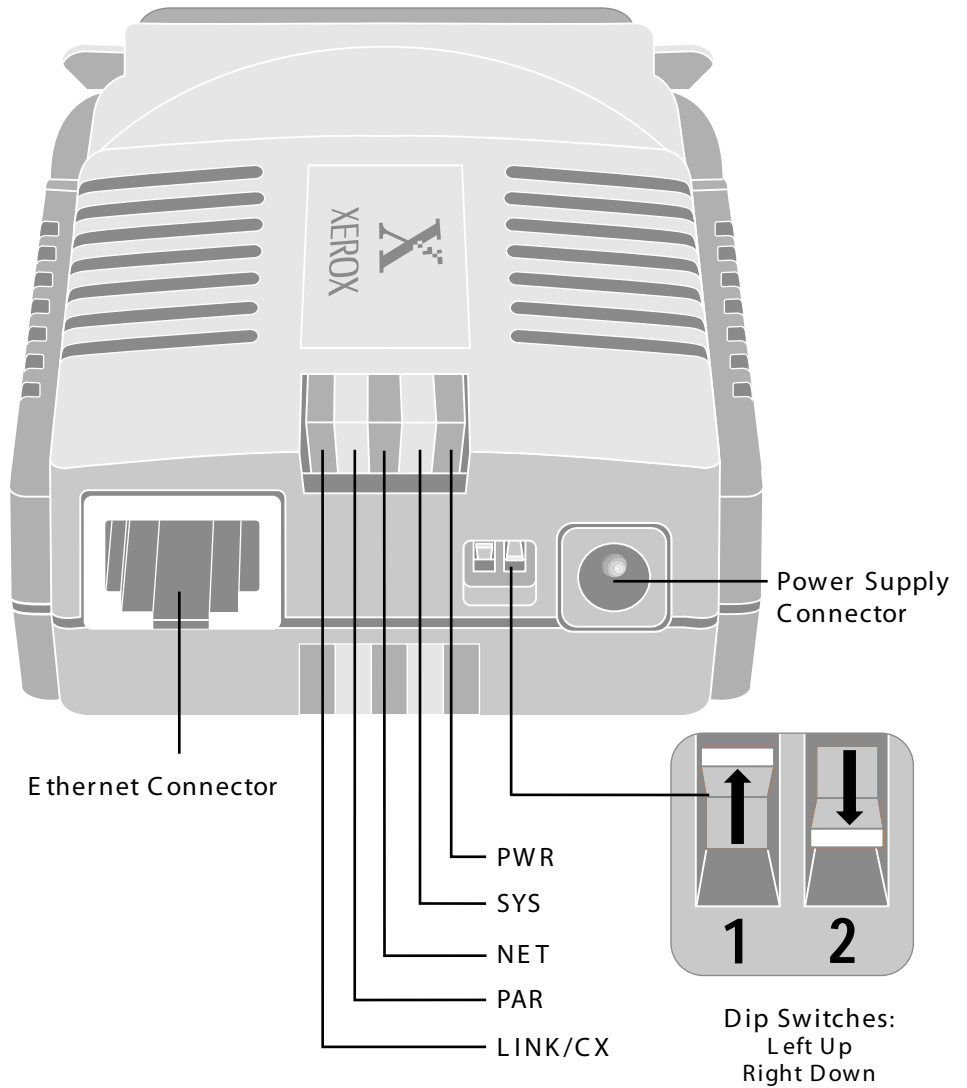
Your printer is switched ON and ready to print.

You know where the parallel port on your printer is located.



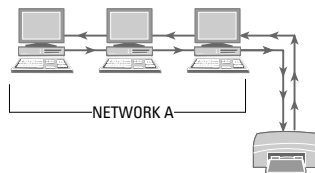
Note: You must have a minimum category 3 network cable (5 is recommended) with RJ-45 terminations.

OVERVIEW



NetBEUI

NetBEUI stands for (NetBIOS Extended User Interface) and it is a small protocol that allows computers to communicate with each other on a network. Although it is considered an efficient protocol and it can transfer information on a network much faster than many other protocols. NetBEUI can not be used in wide area networks and it is a non-routable protocol which means it cannot pass information from the CentreDirect EPS through more than one segment of the network.

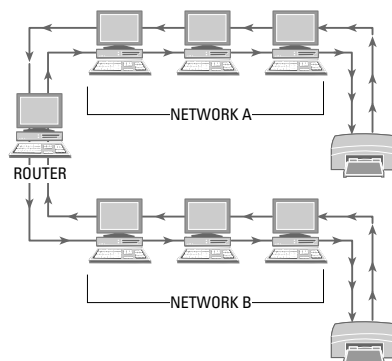


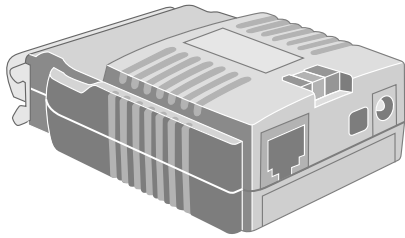
Note: NetBEUI is recommended for small Windows based networks that will remain small (maximum of 10 PCs per CentreDirect EPS printer).

TCP/IP

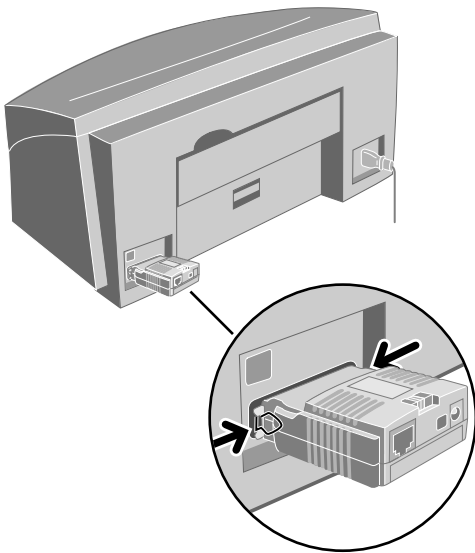
The greatest advantage in using TCP/IP (Transmission Control Protocol/Internet Protocol) is that it can work on small and large networks. It allows for communication between networks having different types of computers and it is a protocol that is used on the Internet. TCP/IP is the most common and widely used network protocol.

Unlike NetBEUI's easy addressing system, TCP/IP uses an IP Address and in many cases is handled better by a System's Administrator.





Note: The ethernet address is located on your CentreDirect EPS.



Setting up your CentreDirect EPS

1

Remove the CentreDirect EPS from the plastic wrapper and record the MAC address (also known as the ethernet address) in the space below:

Ethernet address:

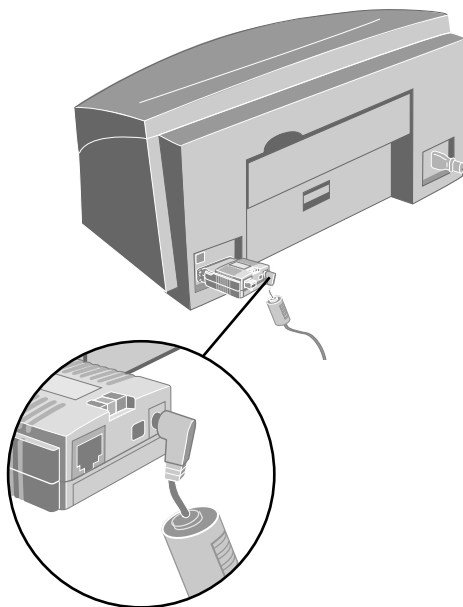
2

Connect the CentreDirect EPS to your printer's parallel port.

Secure connector clips onto the CentreDirect EPS side slots.

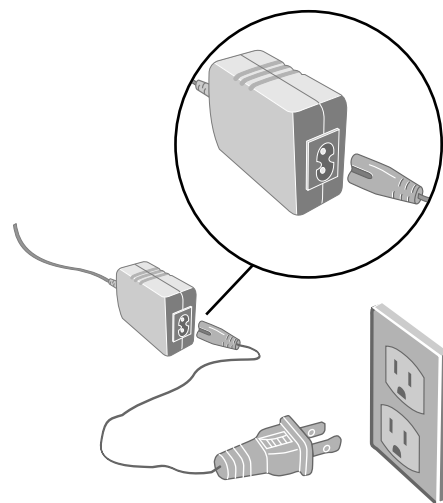
Remove power supply from box and plug connector into your Centre-Direct EPS.

3



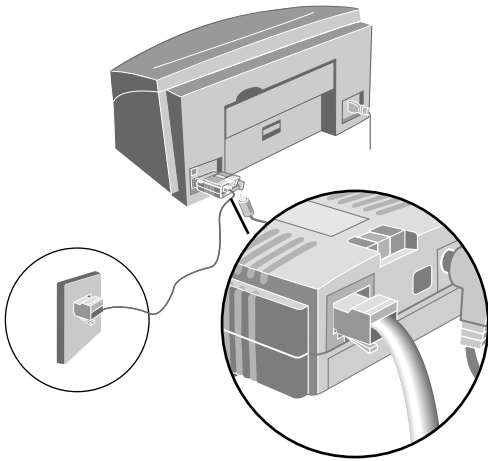
Plug power cord into AC/DC power supply connector.

4

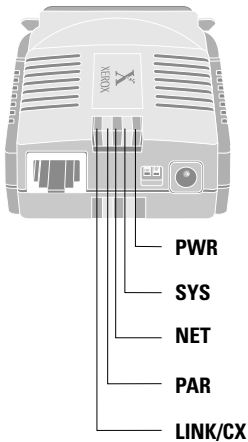


Plug power cord into power outlet.

1



Note: The cable is connected properly when it 'clicks' into place.



Connecting the CentreDirect EPS to your network

5

Connect one end of your network cable into the CentreDirect EPS.

Connect the other end to the network.

6

Check the LED lights to make sure the CenterDirect EPS is functioning properly before proceeding to NetBEUI or TCP/IP software install.

PWR LED should be solid green.

SYS LED should flash green after 20 seconds or less.

NET LED should be solid green to indicate proper network connection

PAR LED will flash when there is activity from the network to the CentreDirect EPS.

LINK/CX LED will flash when there is activity between the CentreDirect EPS and printer.

If your CentreDirect EPS is connected properly a configuration page will print out.

On the configuration page locate the words "IPaddress" under the TCP/IP engine Options section near the top of the page. Verify that an IP address (Example: 192.168.225.40) has been assigned automatically to you by the network.

If there is no "IPaddress" continue to the NetBEUI section for the software install instructions.

If an "IPaddress" exists, continue to TCP/IP install instructions for Windows.



Note: NET LED and PAR LED may or may not flash simultaneously depending on the activity or activities taking place at the time.

7



Note: If behavior is not as described, check another AC outlet. If problem persists please do one of the following:

- **Browse through <http://www.xerox.com>**
- **Call the Xerox Welcome Centre or your Local Customer Support Representative**

1



Note: If there is no "IPaddress" but you own Windows 95 / 98 and would rather use TCP/IP, refer to the electronic User Guide or contact your System's administrator for instructions on how to install the required software.



Network
Neighborhood



Note: The Network Neighborhood icon is located on your computer's desktop.



Note: You can also locate the MAC address on your CentreDirect EPS.

Installing NetBEUI for all Windows.

1

Right click on Network Neighborhood on your computer's desktop.

Select Properties and verify that NetBEUI Protocol is in the Protocol list.

If NetBEUI Protocol exists go to step 2.

If it doesn't exist go to Configuration -> Add -> Protocol -> Microsoft NetBEUI .

Click OK and, if requested, reboot your PC.

2

Refer back to the ethernet address that you wrote down during your CentreDirect EPS install.

3

Before you install NetBEUI make sure your network can support the addition of a CentreDirect EPS, and your printer and your PC's workgroup name is "Workgroup". Double click on Network Neighborhood and

verify that there are no more than ten CentreDirect EPS installed (identified by xrxdddddd numbers).

Select Start -> Run and type the following: \\xrxdddddd where ddddd are the last six digits of your CentreDirect EPS ethernet address.

4

Click OK.

Double click on the icon that has your CentreDirect EPS ethernet address.

Double click on parallel and select Yes to install the Centre Direct EPS. Follow the on-screen instructions to complete your printer's software installation.

You are now ready to access your printer through the CentreDirect EPS.



Note: Do not select 'network' or 'shared printer'.

2



Network
Neighborhood



Note: The Network Neighborhood icon is located on your computer's desktop.

Installing TCP/IP for Windows

1

Right click on Network Neighborhood on your computer's desktop.

Select Properties -> Protocol. If TCP/IP Protocol exists go to step 2.

If TCP/IP Protocol does not exist click on Add -> TCP/IP Protocol -> OK.

Follow the on screen instructions to complete installation.

2

Verify that TCP/IP Printing is installed by selecting the Services tab. If TCP/IP Printing is installed go to step 3.

If TCP/IP Printing is not installed click on Add -> Microsoft TCP/IP Printing.

Follow the on screen instructions to complete installation.

Click on the Close button and, if requested, reboot your computer.

Select Start -> Settings -> Printers.

Double click on Add Printer -> Next.

Select Add Port -> LPR Port -> New Port

Input IP address on the first line.

Type Parallel in second text line

Click on Next -> Have Disk to install the printer driver from the CD supplied with your printer. Follow the on screen instructions to complete the installation.

You are now ready to access your printer through the CentreDirect EPS.

3



Note: You can locate the “IP address” on the configuration page that printed during the setup of your CentreDirect EPS. Make sure you type in all the numbers (including the zeros).

Installing CentreDirect EPS on Macintosh computers

1

Install the print driver supplied with your printer installation kit.

Select the Apple icon on the top left corner of the screen.

Select Chooser.

If the Macintosh does not have Zones assigned go to step 2 otherwise go to step 3.

2

Installing CentreDirect EPS on a Macintosh without Zones

Select the print driver Icon of your printer from the Chooser.

A list of print servers will appear in the adjacent window. Click on Select a PostScript Printer

Select your CentreDirect EPS ethernet address from a list of choices.

Click on Create -> Select PostScript Printer Description file.

Select your recently installed print driver. Click on Generic button.

After printer initialization process a printer icon will appear on your desktop.

Close Chooser window.

You are now ready to access your printer through the CentreDirect EPS.

Installing CentreDirect EPS on a Macintosh with Zones.

3**2**

Select the print driver Icon of your printer from the Chooser.

Select ZONE where CentreDirect EPS unit resides in. A list of print servers will appear in the adjacent window. Click on Select a PostScript Printer.

Select your CentreDirect EPS ethernet address from a list of choices.

Click on Create -> Select PostScript Printer Description file.

Select your recently installed print driver.

Click on Generic button.

After printer initialization process a printer icon will appear on your desktop.

Close Chooser window.

You are now ready to access your printer through the CentreDirect EPS.

